

4000 SERIES TELESCOPIC MATERIAL HANDLERS

4013

Performance

Maximum Lift Capacity	4,000 kg
Capacity at full height	4,000 kg
Maximum Forward Reach	9.20 m
Capacity at Maximum Forward Reach.....	1,300 kg
Lifting Height	13.00 m
Reach at Maximum Height.....	1.85 m
Break-out force with standard bucket	70 kN
Towing Capacity.....	5,000 kg
Carriage Rotation.....	142°

Dimensions

A. Overall Height	2.45 m
B. Overall Width	2.38 m
C. Width of Cab.....	0.89 m
D. Track width	1.92 m
E. Wheelbase	2.85 m
F. Length at front wheels	4.60 m
G. Length at fork-holder plate	6.00 m
H. Ground Clearance	0.42 m
I. Turning radius over tyres	3.80 m
J. Turning radius at fork.....	5.35 m
Gross Vehicle Weight	11,800 kg

Engine & Transmission

Diesel Engine - Perkins Model 1004.40 Water Cooled at 2200 rpm.....	60 kW
Optional Diesel Engine - Perkins Model 1004.40 Turbo Water Cooled at 2200 rpm.....	74.5 kW
Travel Speed – first gear	5 km/h
Travel Speed – second gear	10 km/h
Travel Speed – third gear	25 km/h
Travel Speed – fourth gear (optional) ¹	35 km/h
Transmission	Powershift
Drive.....	4 x 4 x 4
Number of gears (forward/reverse)	3 / 3 (4 / 4)
Gradeability	45%
Steering	4WS/Front Steer/Crab Steer
Brakes	Wet multi disc
Hydraulic System	Load Sensing Piston Type 132 L/min
Fuel Tank Capacity	140 L
Engine Oil	7.9 L
Coolant	19.7 L
Hydraulic Reservoir	160 L
Tyres	405/70 - 24

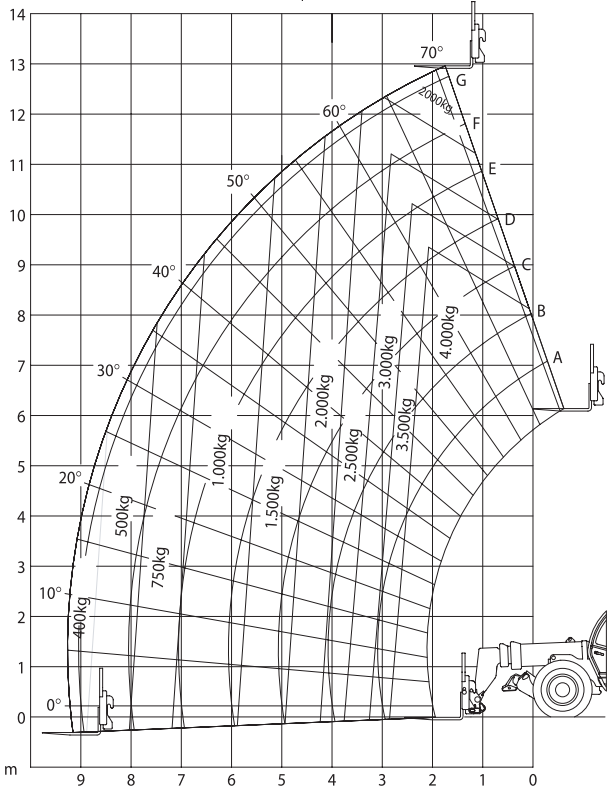
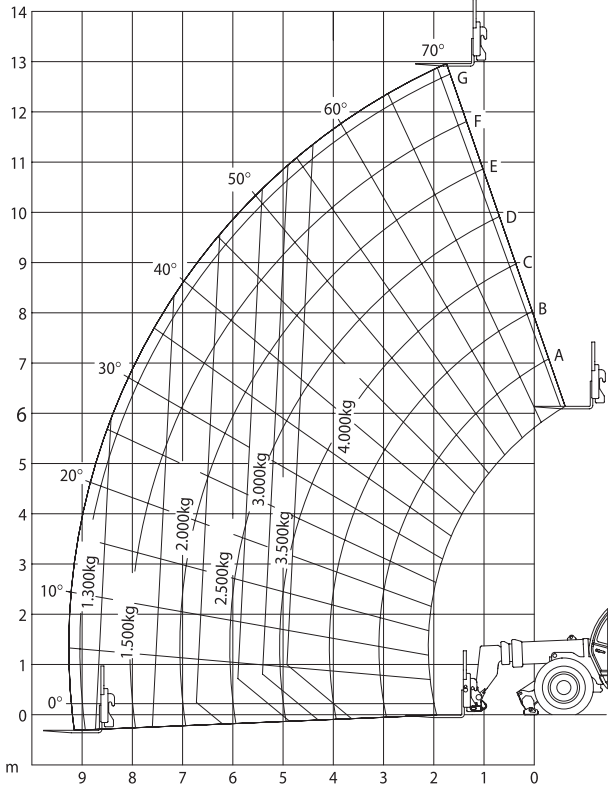
¹ Requires Turbo Engine option.

JLG is continually researching and developing products and reserves the right to make modifications without prior notice. All data in this document is indicative. Certain options or country standards will increase weight. Specifications may change to meet country standards or with the addition of optional equipment.



JLG MODEL 4013

JLG MODEL 4013



Frame levelling device activated.
Complies with EN1459 - Annex B

